

Kirby Morgan 77 Helmet

P/N 500-090 / 500-091

Location #	Part #	Description
1	510-575	Nose Block Pad
2	545-015	Nose Block Device <i>Includes location #1</i>
3	520-020	Valve Body
4	510-550	Valve, Oral Nasal
5	510-743	Oral Nasal Mask
6	530-058	Screw
7	330-405	Washer
8	530-078	Screw
9	520-265	Top
10	530-527	Washer
11	540-569	Handle, Helmet, KM 77
12	510-266	Grip
13	550-285	Mount Bar
14	505-759	Handle Assembly, KM 77 <i>(excludes location #15)</i>
15	530-059	Screw
16	560-517	Helmet Shell, Stainless Steel
17	505-753	Airtrain Assembly, Stainless Helmet
18	550-571	Sleeve
19	530-083	Screw
20	550-574	Sleeve
21	530-535	Washer
22	530-415	Washer
23	530-317	Nut
24	540-563	Port Retainer
25	530-059	Screw
26	550-566	Adapter
27	530-052	Screw
28	550-062	Knob, Nose Block
29	555-180	Packing Nut, Nose Block
30	510-008	O-ring
31	550-577	Nose Block Guide
32	505-738	Port Retainer Assembly
33	510-010	O-ring
34	520-004	Face Port
35	510-260	O-ring, View Port
36	550-097	Large Port Plug Body
37	510-029	O-ring
38	510-481	O-ring

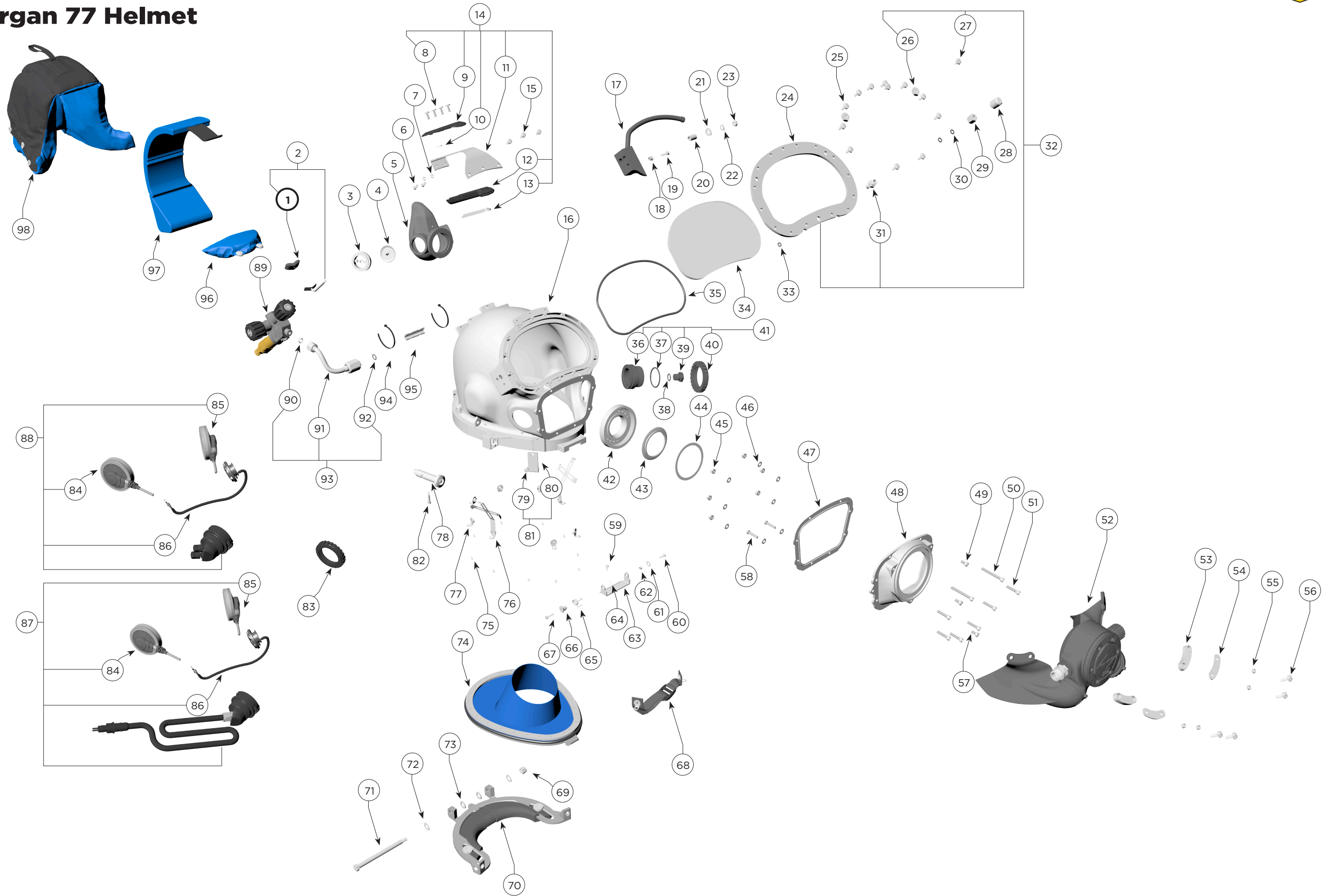
Location #	Part #	Description
39	550-043	Plug
40	320-026	Comm. Mount Nut
41	505-089	Large Port Plug Assembly <i>Includes location #s 36-40</i>
42	550-372	Regulator Mount Nut
43	510-741	Valve, Water Dump
44	320-040	Regulator Mount Washer
45	530-145	Lock Nut
46	530-527	Washer
47	510-403	Gasket, Pod
48	560-516	Regulator Mount Pod
49	430-134	Washer
50	530-089	Screw
51	530-086	Screw
52	505-278	REX Regulator Assembly <i>Purchase 525-774</i>
53	560-300	Zinc Whisker Anode
54	540-015	Kidney Plate (pre 2013)
55	550-586	Spacer, Whisker
56	530-070	Screw
57	530-145	Lock Nut
58	530-086	Screw
59	530-032	Screw
60	530-035	Screw
61	530-546	Washer for Swing Catch
62	550-061	Spacer
63	540-086	Swing Catch
64	520-167	Teflon® Washer for Swing Catch
65	535-825	Spring, Swing Catch
66	550-122	Spring Spacer
67	530-045	Screw
68	505-748	Chin Strap Assembly with Snaps
69	530-028	Lock Nut
70	505-755	Locking Collar Assembly, S.S.
71	530-027	Hinge Bolt
72	520-165	Washer
73	530-545	Washer
74	505-746	Neck Ring Assembly, Medium, S.S.
75	530-037	Screw
76	505-742	Earphone Retainer Assembly

Location #	Part #	Description
77	505-740	Snap Tab Assembly, S.S.
78	505-110	Sealed Pull Pin Assembly
79	530-059	Screw
80	540-039	Front Stand Off
81	525-116	Front Stand Off Kit <i>(2 each of Loc. # 79 and 80)</i>
82	530-015	Screw
83	320-026	Comm. Mount Nut
84	515-018	Earphone, Right, 9"
85	515-019	Earphone, Left, 15.5"
86	515-029	Microphone Assembly
87	515-024	Comm. Assembly w/MWP
88	515-023	Comm. Assembly w/Posts
89	505-732	Side block Assembly
90	520-033	O-ring, Teflon®
91	555-167	47/77 Bent Tube
92	510-012	O-ring
93	555-168	Bent Tube Assembly w/O-rings
94	520-038	Tie Wrap
95	560-304	Zinc Sleeve Anode
96	510-683	Chin Cushion Assembly
	510-639	Chin Cushion Bag
97	510-837	Head Cushion Foam Spacer Assembly <i>(Order P/N 525-745)</i>
	510-836	Head Cushion Foam Spacer Bag
98	510-754	Head Cushion Assembly
	510-722	Head Cushion Bag

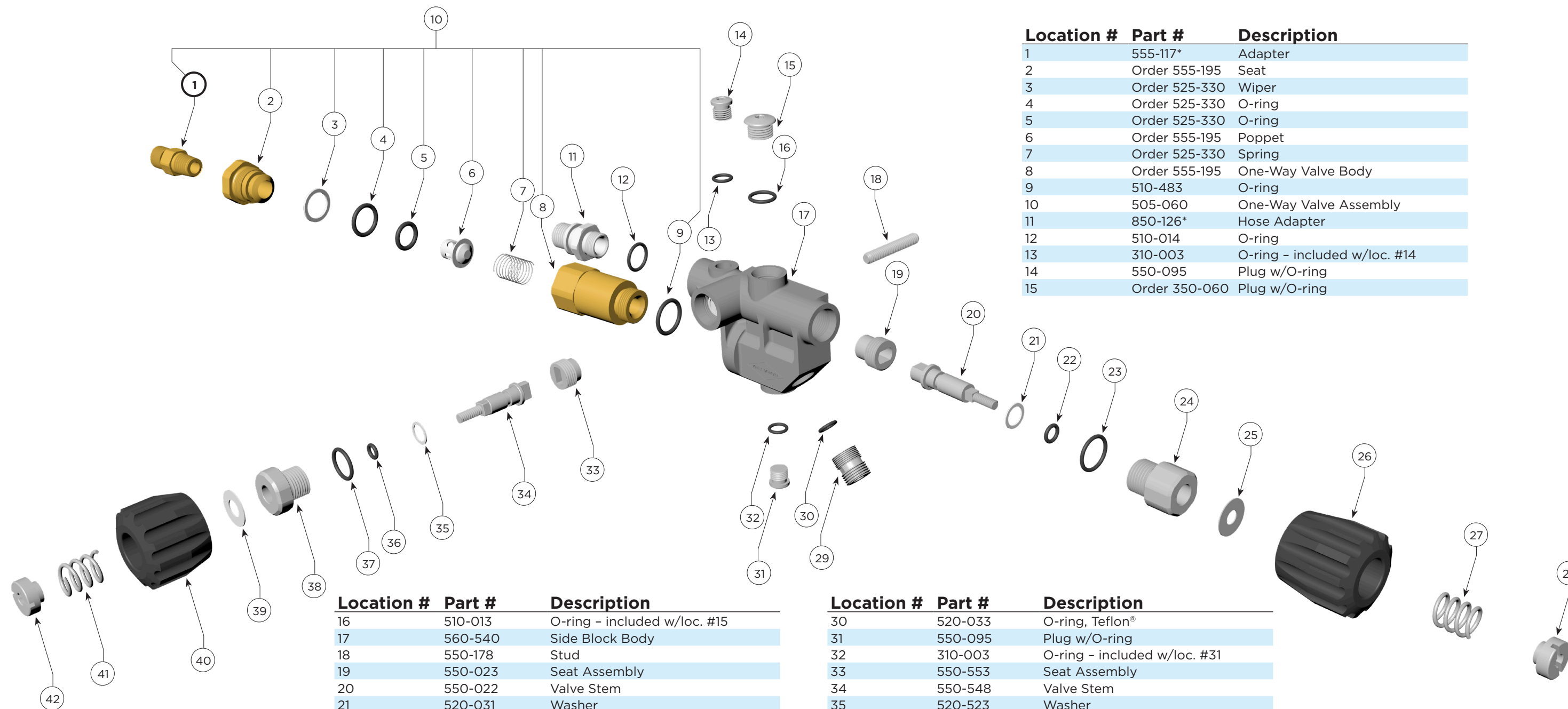
⚠ CAUTION

Use only Kirby Morgan original replacement parts. The use of other manufacturers' parts will interfere with the performance characteristics of your life support equipment and may jeopardize your safety. Additionally, any substitutions will void any warranties offered by KMDSI. When ordering spares, always insist on Kirby Morgan original parts.

Kirby Morgan 77 Helmet



Side Block Assembly P/N 505-732 (Stainless Steel)



Location #	Part #	Description
1	555-117*	Adapter
2	Order 555-195	Seat
3	Order 525-330	Wiper
4	Order 525-330	O-ring
5	Order 525-330	O-ring
6	Order 555-195	Poppet
7	Order 525-330	Spring
8	Order 555-195	One-Way Valve Body
9	510-483	O-ring
10	505-060	One-Way Valve Assembly
11	850-126*	Hose Adapter
12	510-014	O-ring
13	310-003	O-ring - included w/loc. #14
14	550-095	Plug w/O-ring
15	Order 350-060	Plug w/O-ring

Location #	Part #	Description
16	510-013	O-ring - included w/loc. #15
17	560-540	Side Block Body
18	550-178	Stud
19	550-023	Seat Assembly
20	550-022	Valve Stem
21	520-031	Washer
22	510-010	O-ring
23	510-015	O-ring
24	550-568	Bonnet
25	520-030	Washer
26	520-524	Flex Knob, Steady Flow
27	535-802	Spring
28	550-019	Lock Nut
29	550-564	Bent Tube, Side Block, Adapter

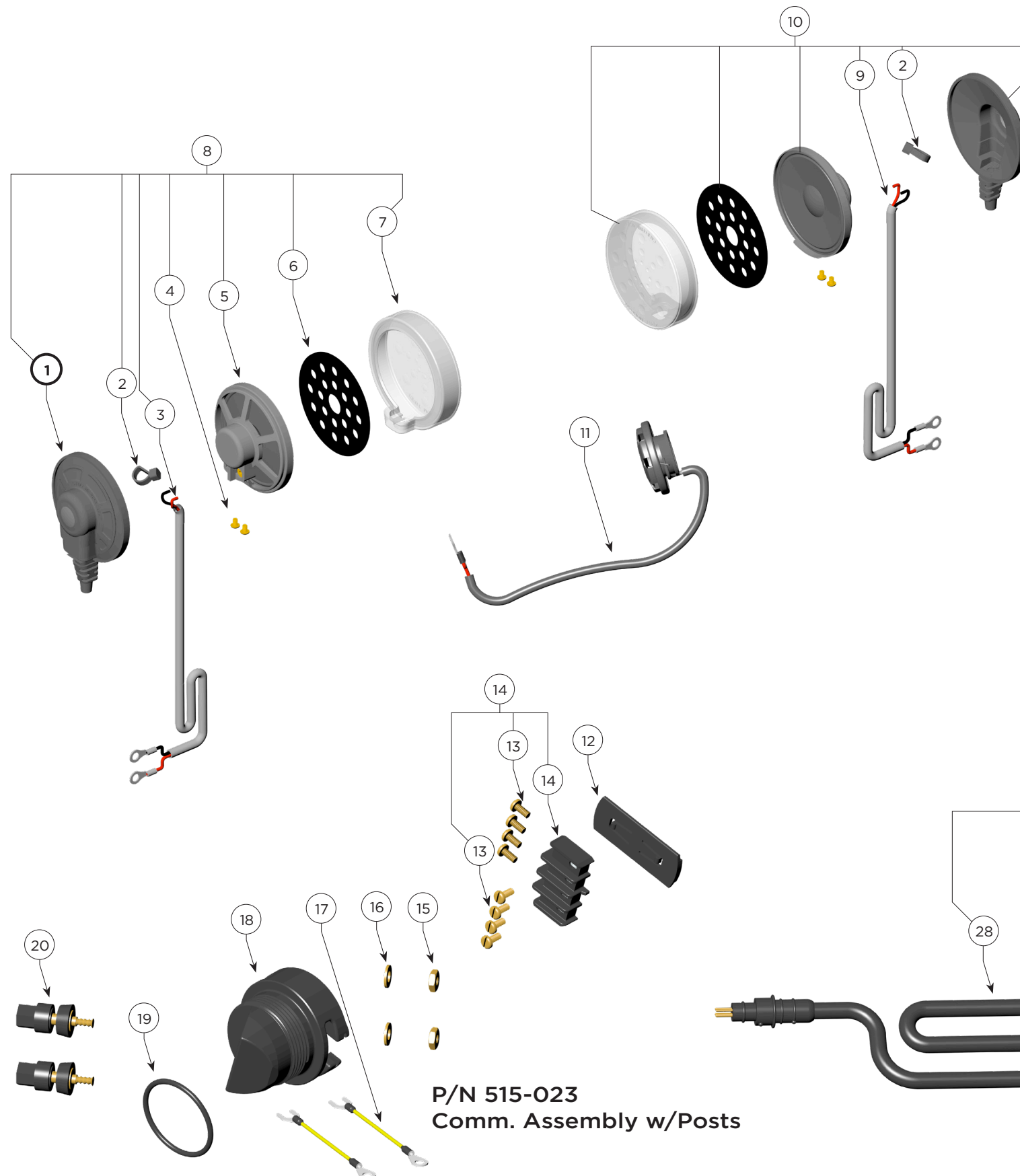
Location #	Part #	Description
30	520-033	O-ring, Teflon®
31	550-095	Plug w/O-ring
32	310-003	O-ring - included w/loc. #31
33	550-553	Seat Assembly
34	550-548	Valve Stem
35	520-523	Washer
36	510-008	O-ring
37	510-014	O-ring
38	550-551	Bonnet
39	520-522	Washer
40	520-525	Flex Knob, Emergency
41	535-802	Spring
42	550-019	Lock Nut

* Denotes a critical component



Kirby Morgan Dive Systems, Inc.® 1430 Jason Way, Santa Maria, CA 93455
 Phone: (805) 928-7772 Fax: (805) 928-0342
www.KirbyMorgan.com e-mail: kmdsi@KirbyMorgan.com

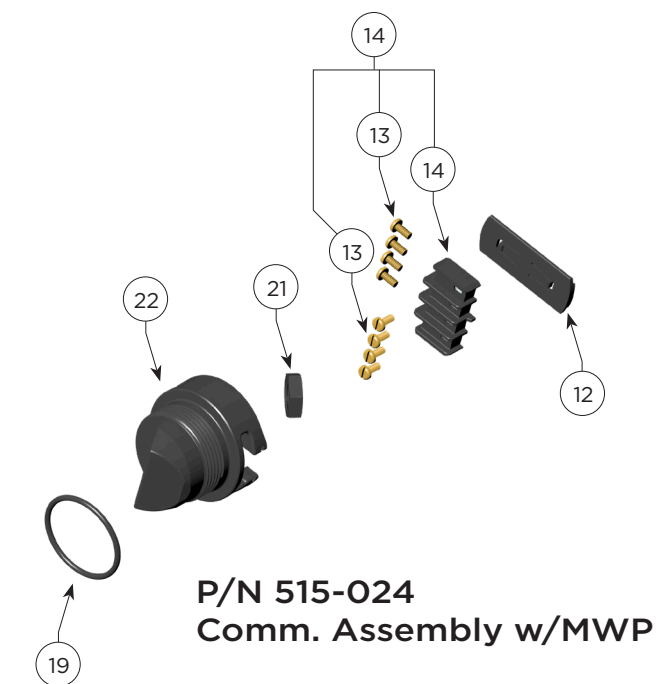
Communication Assemblies P/N 515-023 and 515-024 (New Design)



Location #	Part #	Description
1		For Earphone Cover Set Order 510-842
2	520-038	Tie-Wrap
3	515-102	Communication Wire 9"
4	530-098	Screw
5	515-090	Earphone, Speaker Only
6	520-015	Protector, Earphone
7		For Earphone Cover Set Order 510-842
8	515-018	Earphone, Right 9"
9	515-101	Communication Wire 15.5"
10	515-019	Earphone, Left 15.5"
11	515-029	Microphone Assembly
12	520-515	Strip Retainer Plate
13	330-030	Screw
14	515-125	Strip Assembly with Screws
15	530-308	Hex Nut
16	530-525	Washer
17	515-055	Wiring Harness, Posts
18	550-181	Comm. Module for Posts

Location #	Part #	Description
19	510-029	O-ring
20	315-020	Comm. Posts
21	550-040	Nut
22	550-183	Comm. Module for MWP
23	515-049	Single Wire Terminal
24	510-481	O-ring
25	555-175	Packing Gland
26	520-113	Ferrule Set
27	555-178	Packing Nut
28	515-045	W.P. Connector (Male) 4 Pin
29	505-047	W.P. Connector Assembly

Complete Assemblies		
	515-023	Comm. Assembly w/Posts
	515-024	Comm. Assembly w/MWP



P/N 515-024
Comm. Assembly w/MWP

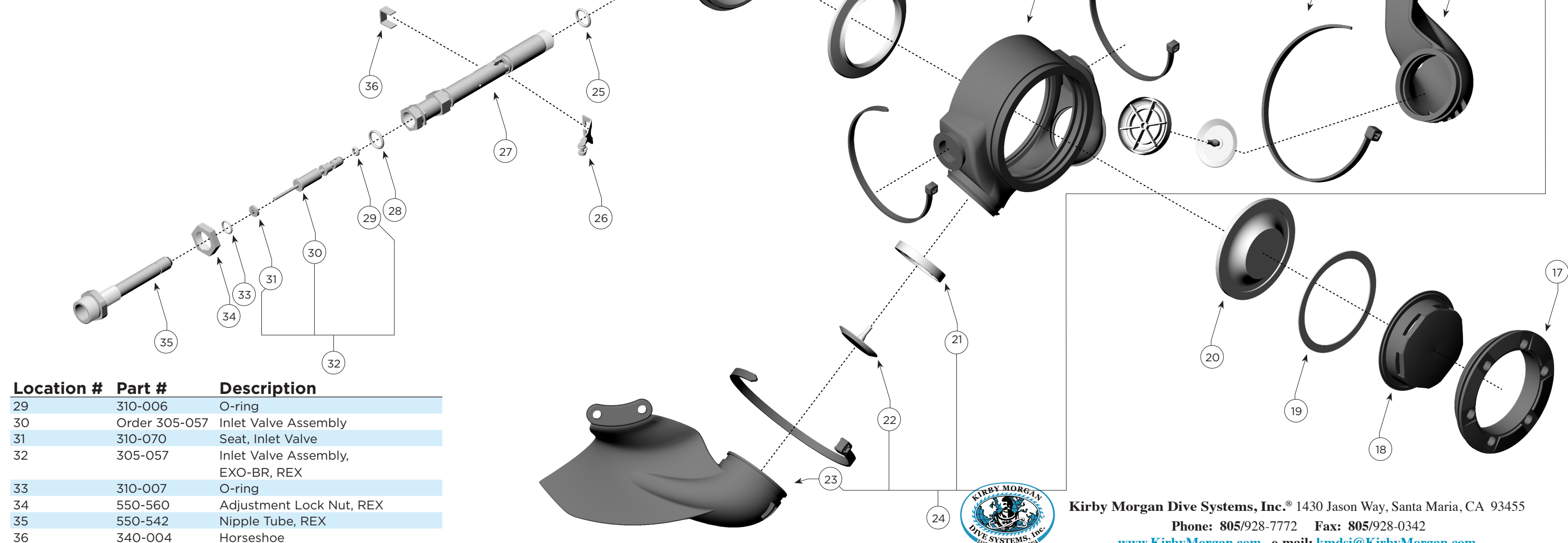


Kirby Morgan Dive Systems, Inc.® 1430 Jason Way, Santa Maria, CA 93455
 Phone: (805) 928-7772 Fax: (805) 928-0342
www.KirbyMorgan.com e-mail: kmdsi@KirbyMorgan.com

REX[®] Regulator Assembly P/N 505-278 (Order P/N 525-774)

Location #	Part #	Description
1	560-514	Regulator Body, REX
2	350-035	Sleeve
3	510-015	O-ring
4	350-065	Spacer
5	535-910	Spring
6	350-052	Adjustment Shaft
7	510-011	O-ring
8	350-025	Packing Nut
9	320-035	Adjustment Knob
10	530-601	Retaining Pin
11	305-045	Adjustment Knob Assembly
12	510-777	Exhaust Valve, REX Regulator
13	510-783	Whisker, Main Body, REX
14	520-038	Tie-Wrap
15	520-042	11" Tie Wrap
16	510-785	Port Whisker Wing, REX
17	550-042	Cover Retaining Ring
18	510-006	Cover, REX
19	320-030	Washer
20	510-553	Diaphragm
21	520-200	Valve Seat
22	510-776	Exhaust Valve

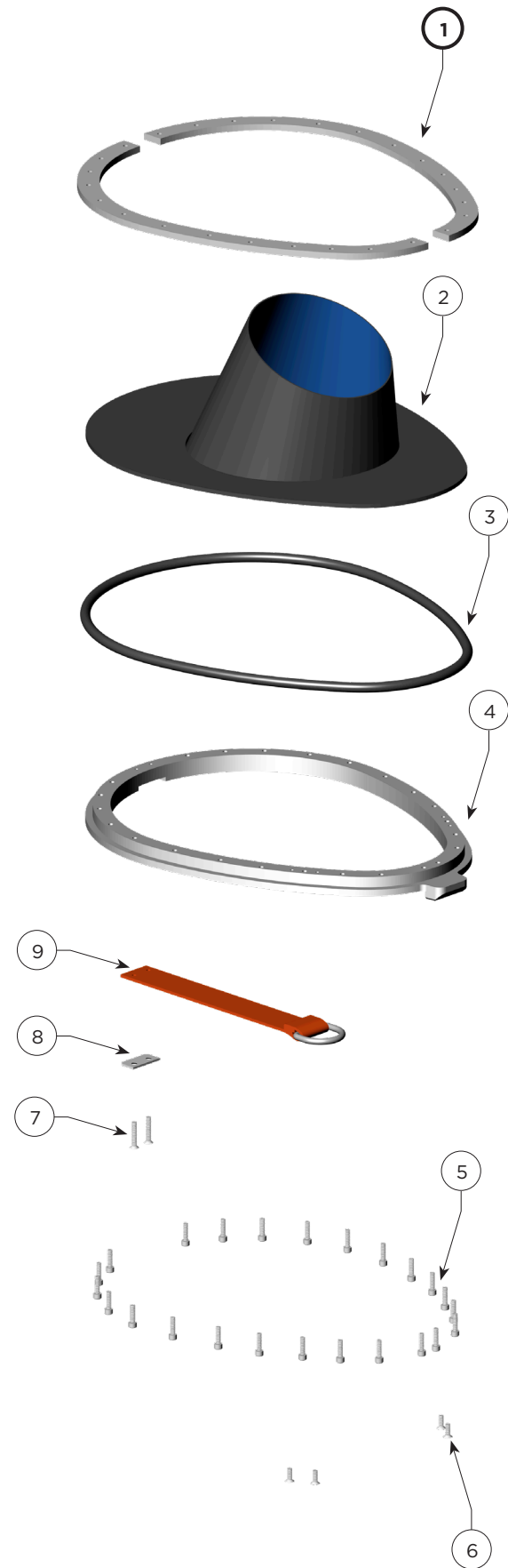
Location #	Part #	Description
23	510-784	Starboard Whisker Wing, REX
24	525-764	REX Whisker Wing Exhaust Kit
25	310-013	O-ring
26	545-038	Roller Lever Arm Assembly
27	350-143	Main Tube, Stainless Steel
28	310-013	O-ring



Location #	Part #	Description
29	310-006	O-ring
30	Order 305-057	Inlet Valve Assembly
31	310-070	Seat, Inlet Valve
32	305-057	Inlet Valve Assembly, EXO-BR, REX
33	310-007	O-ring
34	550-560	Adjustment Lock Nut, REX
35	550-542	Nipple Tube, REX
36	340-004	Horseshoe



Kirby Morgan Dive Systems, Inc.[®] 1430 Jason Way, Santa Maria, CA 93455
 Phone: 805/928-7772 Fax: 805/928-0342
www.KirbyMorgan.com e-mail: kmdsi@KirbyMorgan.com



Neck Ring Assembly for Stainless Steel Helmets

P/N 505-745 (Small, Neck Dam)

P/N 505-746 (Medium, Neck Dam)*

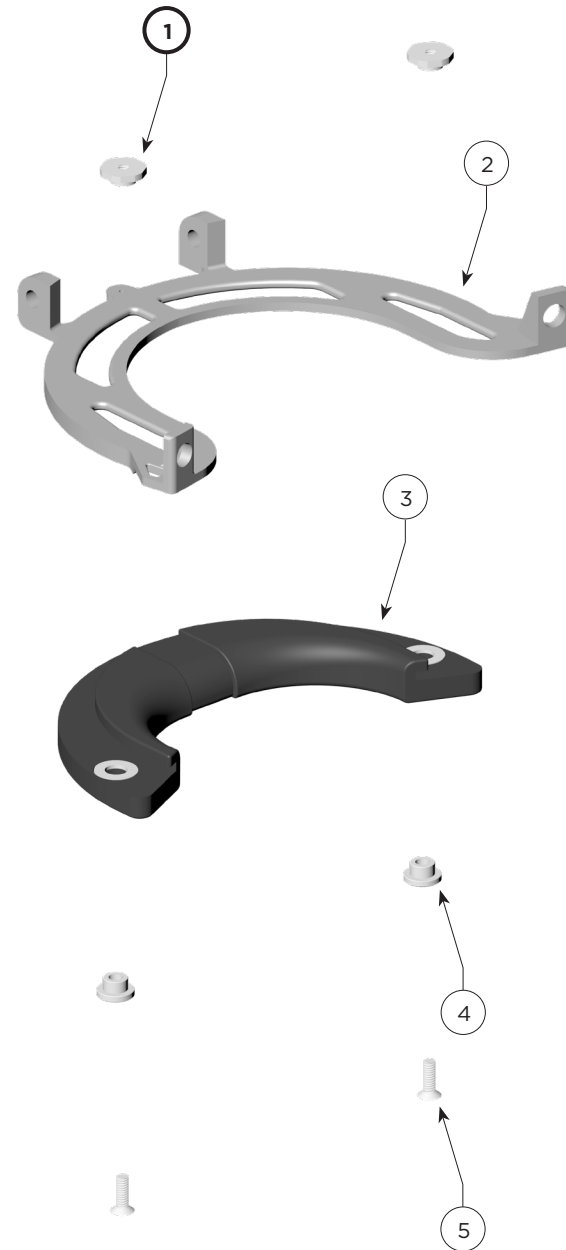
P/N 505-747 (Large, Neck Dam)

P/N 505-749 (X-Large, Neck Dam)

P/N 505-744 (Small/Medium, Latex Neck Dam) (KM 37SS, 77, 97 & KM Diamond)

P/N 505-741 (Medium/Large, Latex Neck Dam) (KM 37SS, 77, 97 & KM Diamond)

Location #	Part #	Description	Location #	Part #	Description
1	540-546	Split Ring, Stainless Steel	3	510-450	O-ring, Neck Ring
	510-627	Neoprene Neck Dam, Small	4	560-542	Stepped Ring, Stainless Steel
	510-628	Neoprene Neck Dam, Medium	5	530-024	Screw
	510-629	Neoprene Neck Dam, Large	6	530-022	Screw
2	510-688	Neoprene Neck Dam, X-Large	7	530-220	Screw
	510-631	Latex Neck Dam, Small/Medium	8	540-115	Strap Plate
	510-633	Latex Neck Dam, Medium/Large	9	505-142	Pull Strap Assembly



Locking Collar Assembly for Stainless Steel Helmets P/N 505-755

Location #	Part #	Description
1	550-113	Adjustment Nut, Neck Pad
2	560-541	Locking Collar, Stainless Steel
3	520-098	Neck Pad
4	550-045	T-Washer
5	530-064	Screw