

Kirby Morgan 47 Helmet 500-070 / 500-071



| Location # | Part # | Description |
|------------|---------|--|
| 1 | 520-054 | Visor |
| 2 | 510-754 | Head Cushion Assembly |
| | 510-722 | Head Cushion Bag |
| 3 | 510-837 | Head Cushion Foam Spacer Assembly (Order P/N 525-745) |
| | 510-836 | Head Cushion Foam Spacer Bag |
| | 510-639 | Chin Cushion Bag |
| 4 | 520-020 | Valve Body |
| 5 | 510-550 | Valve, Oral Nasal |
| 6 | 510-575 | Nose Block Pad |
| | 545-015 | Nose Block Device Includes location #6 |
| 8 | 510-743 | Oral Nasal Mask |
| 9 | 550-372 | Nut, Regulator Mount |
| 10 | 510-741 | Valve, Water Dump |
| 11 | 320-040 | Regulator Mount Washer |
| 12 | 505-024 | Side Block Assembly (B) |
| | 505-025 | Side Block Assembly (B), Brass |
| 13 | 520-033 | O-ring, Teflon® |
| 14 | 555-167 | 47/77 Bent Tube |
| 15 | 510-012 | O-ring |
| 16 | 555-168 | Bent Tube Assembly w/O-rings |
| | 560-125 | Weight, Top |
| 17 | 560-116 | Weight, Top, Brass |
| 18 | 530-070 | Screw |
| 19 | 530-032 | Screw |
| 20 | 530-070 | Screw |
| 21 | 530-540 | Washer |
| 22 | 505-162 | Helmet Shell, 47 with Ring |
| 23 | 530-078 | Screw |
| 24 | 530-540 | Washer |
| 25 | 530-527 | Washer |
| 26 | 530-078 | Screw |
| | 560-133 | Handle, 47 |
| 27 | 560-136 | Handle, Brass, 47 |
| 28 | 560-173 | Plaque, 47 |
| | 560-186 | Handle with Plaque, 47 |
| 29 | 560-187 | Handle with Plaque, Brass 47 |
| 30 | 530-045 | Screw |
| 31 | 510-762 | Air Train Gasket |

| Location # | Part # | Description |
|------------|---------|---|
| 32 | 530-050 | Screw |
| 33 | 530-535 | Washer |
| 34 | 530-415 | Washer, Lock |
| 35 | 530-317 | Nut |
| 36 | 545-016 | Air Train |
| 37 | 530-535 | Washer |
| 38 | 530-317 | Nut |
| | 560-032 | Weight, Port Side |
| 39 | 560-033 | Weight, Port Side, Brass |
| 40 | 530-062 | Screw |
| 41 | 530-052 | Screw |
| 42 | 530-035 | Screw |
| | 550-062 | Knob, Nose Block |
| 43 | 550-252 | Knob, Nose Block, Brass |
| | 555-180 | Packing Nut |
| 44 | 555-190 | Packing Nut, Brass |
| 45 | 510-008 | O-ring |
| | 550-116 | Nose Block Guide |
| 46 | 550-249 | Nose Block Guide, Brass |
| | 560-070 | Port Retainer, w/#46 |
| 47 | 560-071 | Port Retainer, Brass, w/#46 Brass |
| 48 | 510-010 | O-ring |
| 49 | 520-004 | Face Port |
| 50 | 510-260 | O-ring, View Port |
| 51 | 530-015 | Screw |
| 52 | 505-110 | Sealed Pull Pin |
| 53 | 550-061 | Spacer |
| 54 | 540-015 | Kidney Plate |
| 55 | 530-045 | Screw |
| 56 | 505-278 | REX® Regulator Assembly Purchase 525-774 Kit |
| 57 | 530-032 | Screw |
| 58 | 530-059 | Screw |
| 59 | 540-039 | Front Stand Off |
| 60 | 510-683 | Chin Cushion Assembly |
| | 505-111 | Chin Strap Assembly Purchase 525-716 Kit |
| 62 | 530-546 | Washer for Swing Catch |
| 63 | 530-035 | Screw |

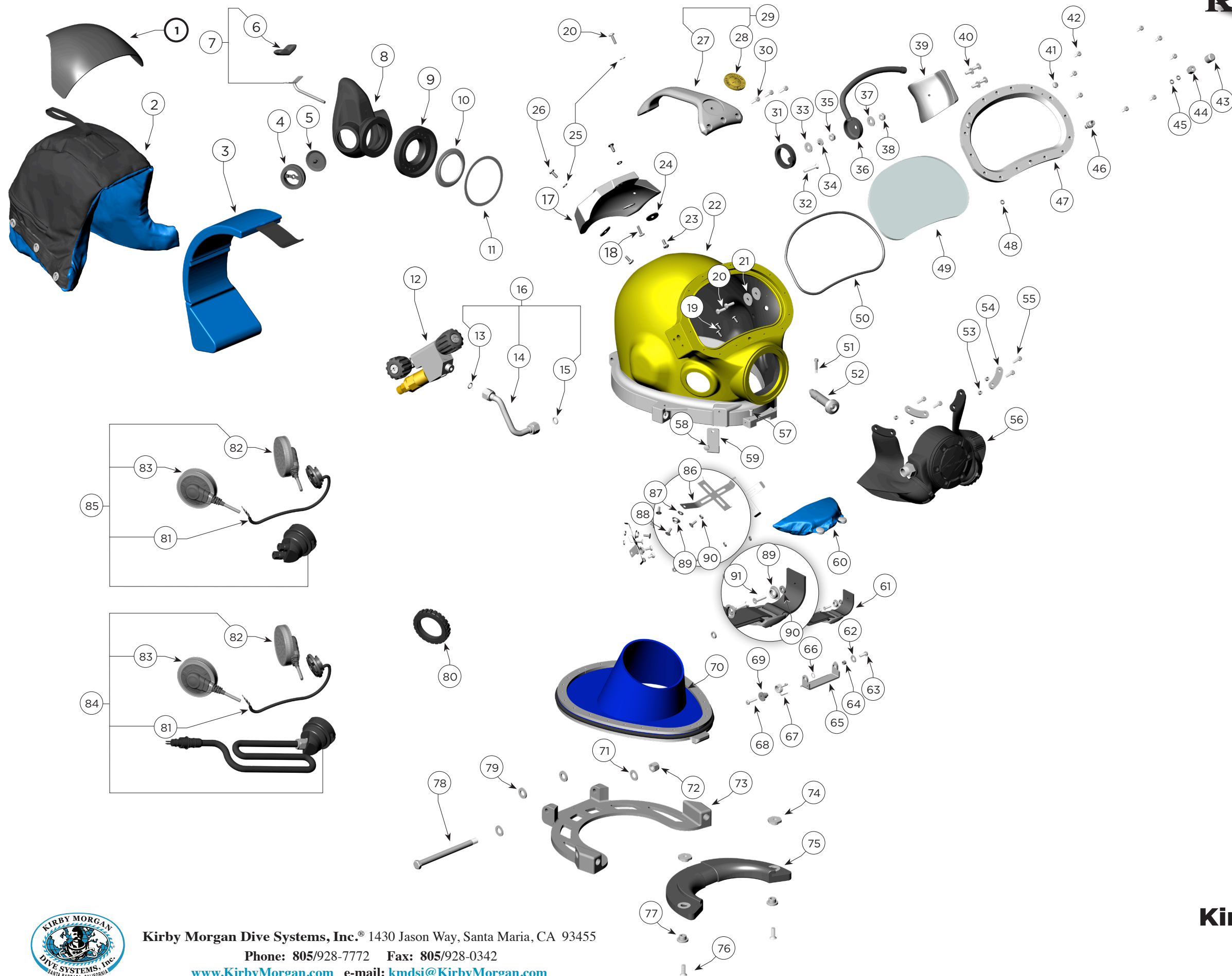
| Location # | Part # | Description |
|------------|---------|------------------------------------|
| 64 | 550-061 | Spacer |
| 65 | 540-086 | Swing Catch |
| 66 | 520-167 | Teflon® Washer for Swing Catch |
| 67 | 535-825 | Spring, Swing Catch |
| 68 | 530-045 | Screw |
| 69 | 550-122 | Spring Spacer |
| 70 | 505-119 | Neck Ring Assembly (neoprene) Med. |
| 71 | 530-545 | Washer |
| 72 | 530-028 | Lock Nut |
| 73 | 560-111 | Locking Collar |
| 74 | 550-113 | Adjustment Nut, Neck Pad |
| 75 | 520-098 | Neck Pad |
| 76 | 530-064 | Screw |
| 77 | 550-045 | T-Washer |
| 78 | 530-027 | Hinge Bolt |
| 79 | 520-165 | Washer |
| 80 | 320-026 | Comm. Mount Nut |
| 81 | 515-029 | Microphone Assembly |
| 82 | 515-019 | Earphone, Left, 15.5" |
| 83 | 515-018 | Earphone, Right, 9" |
| 84 | 515-024 | Comm. Assembly w/MWP |
| 85 | 515-023 | Comm. Assembly w/Posts |
| 86 | 540-054 | Earphone Retainer |
| 87 | 530-519 | Washer |
| 88 | 530-018 | Screw |
| 89 | 530-702 | Snap |
| 90 | 530-527 | Washer |
| 91 | 530-031 | Screw |

⚠ CAUTION

Use only Kirby Morgan original replacement parts. The use of other manufacturers' parts will interfere with the performance characteristics of your life support equipment and may jeopardize your safety. Additionally, any substitutions will void any warranties offered by KMDSI. When ordering spares, always insist on Kirby Morgan original parts.



Kirby Morgan Dive Systems, Inc.® 1430 Jason Way, Santa Maria, CA 93455
 Phone: 805/928-7772 Fax: 805/928-0342
www.KirbyMorgan.com e-mail: kmdsi@KirbyMorgan.com



Kirby Morgan 47 Helmet

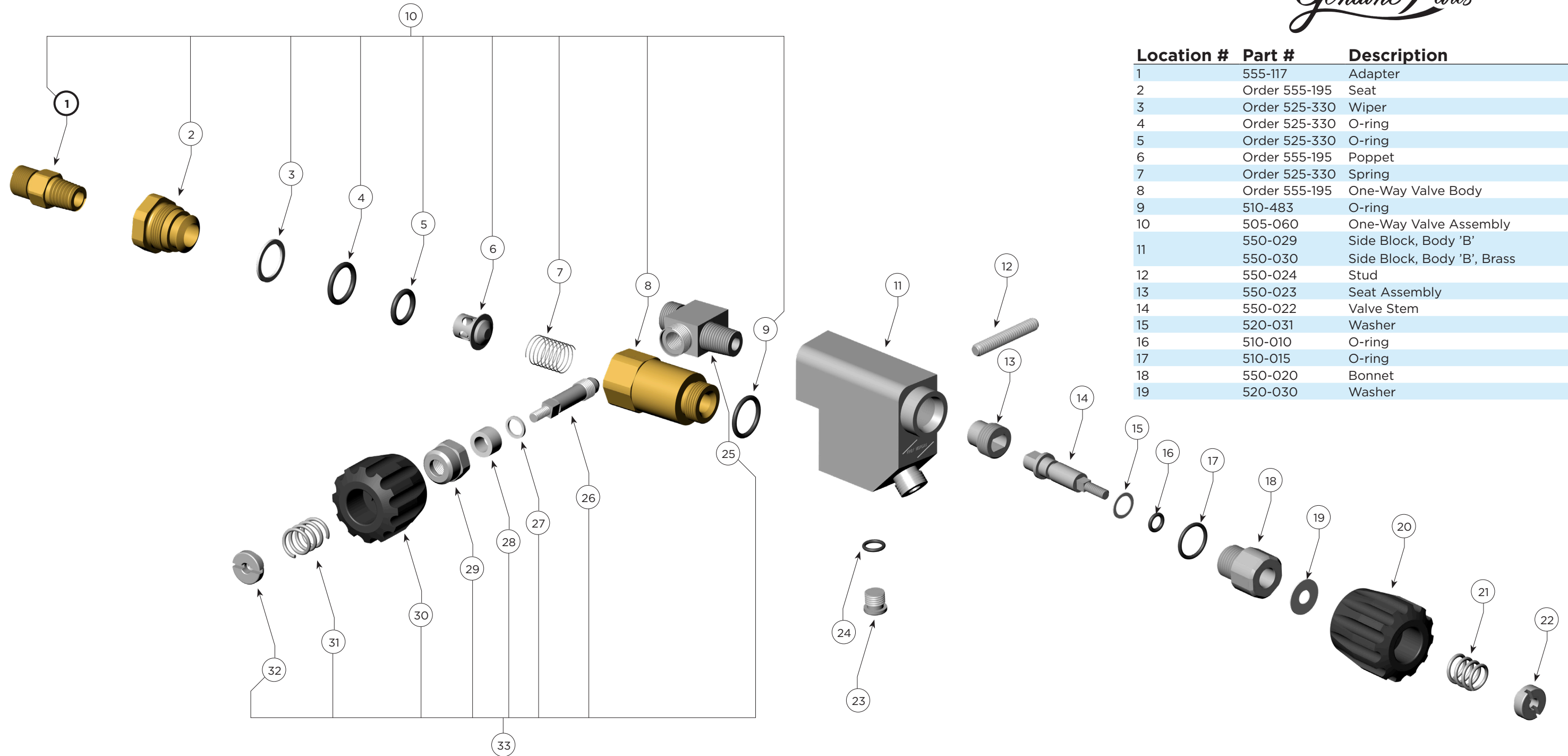


Kirby Morgan Dive Systems, Inc.[®] 1430 Jason Way, Santa Maria, CA 93455

Phone: 805/928-7772 Fax: 805/928-0342

www.KirbyMorgan.com e-mail: kmdsi@KirbyMorgan.com

Side Block Assembly P/N 505-024 (Chromed) & 505-025 (Brass)



| Location # | Part # | Description |
|------------|---------------|-----------------------------|
| 1 | 555-117 | Adapter |
| 2 | Order 555-195 | Seat |
| 3 | Order 525-330 | Wiper |
| 4 | Order 525-330 | O-ring |
| 5 | Order 525-330 | O-ring |
| 6 | Order 555-195 | Poppet |
| 7 | Order 525-330 | Spring |
| 8 | Order 555-195 | One-Way Valve Body |
| 9 | 510-483 | O-ring |
| 10 | 505-060 | One-Way Valve Assembly |
| 11 | 550-029 | Side Block, Body 'B' |
| | 550-030 | Side Block, Body 'B', Brass |
| 12 | 550-024 | Stud |
| 13 | 550-023 | Seat Assembly |
| 14 | 550-022 | Valve Stem |
| 15 | 520-031 | Washer |
| 16 | 510-010 | O-ring |
| 17 | 510-015 | O-ring |
| 18 | 550-020 | Bonnet |
| 19 | 520-030 | Washer |

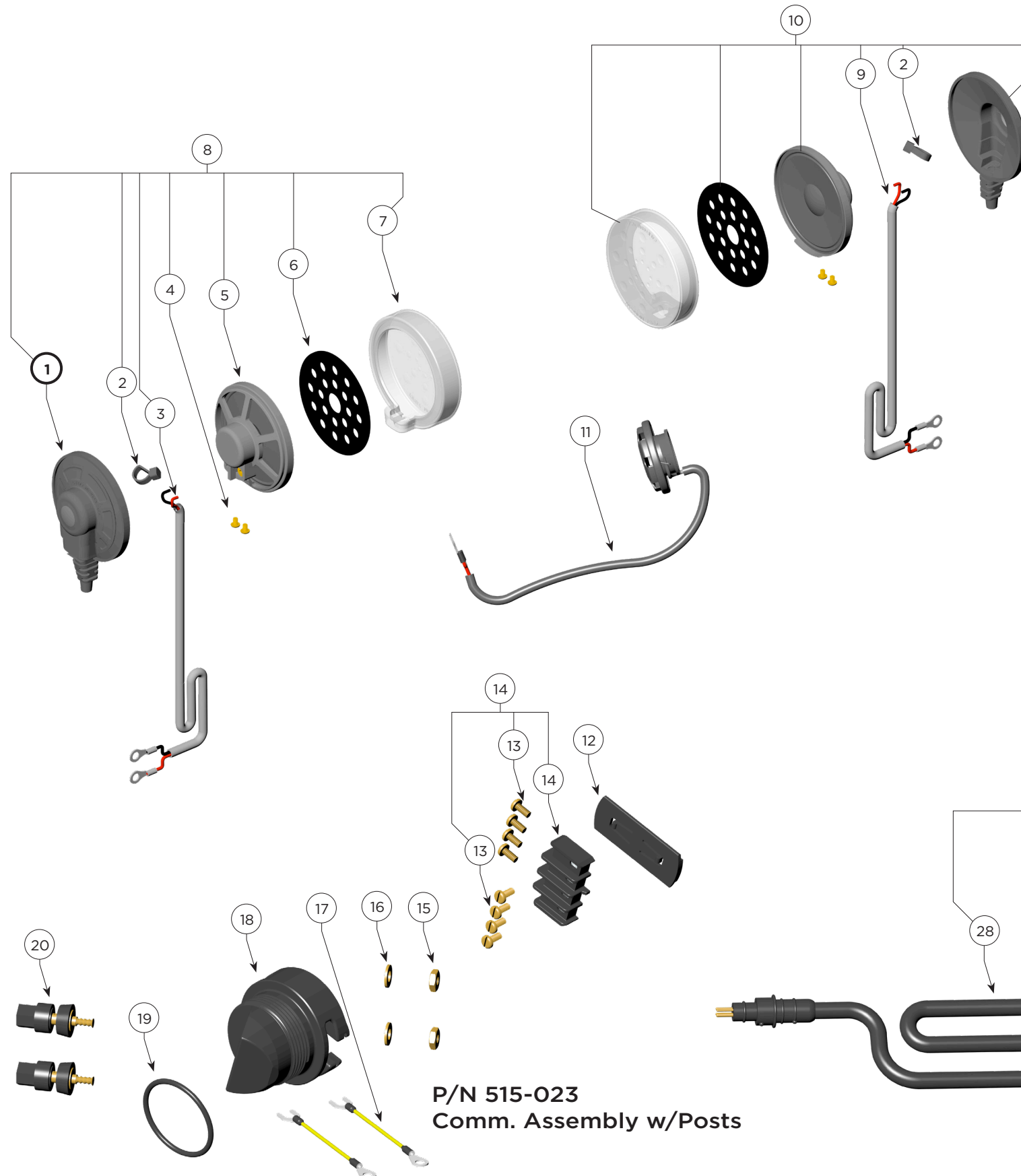
| Location # | Part # | Description |
|------------|---------|-------------------------------|
| 20 | 520-524 | Flex Knob, Steady Flow |
| 21 | 535-802 | Spring |
| 22 | 550-019 | Lock Nut |
| | 550-250 | Lock Nut, Brass |
| 23 | 550-095 | Plug w/O-ring |
| 24 | 310-003 | O-ring - Included w/loc. #23) |
| 25 | 550-140 | Emergency Valve Body |
| | 550-248 | Emergency Valve Body, Brass |
| 26 | 550-138 | Valve Stem, Emergency |

| Location # | Part # | Description |
|------------|---------|---------------------------------|
| 27 | 540-095 | Packing Washer |
| 28 | 520-024 | Packing |
| 29 | 550-091 | Packing Nut |
| 30 | 520-525 | Flex Knob, Emergency Valve |
| 31 | 535-802 | Spring |
| 32 | 550-019 | Locknut |
| | 550-250 | Lock Nut, Brass |
| 33 | 505-070 | Emergency Valve Assembly |
| | 505-080 | Emergency Valve Assembly, Brass |



Kirby Morgan Dive Systems, Inc. 1430 Jason Way, Santa Maria, CA 93455
 Phone: 805/928-7772 Fax: 805/928-0342
www.KirbyMorgan.com e-mail: kmdsi@KirbyMorgan.com

Communication Assemblies P/N 515-023 and 515-024 (New Design)

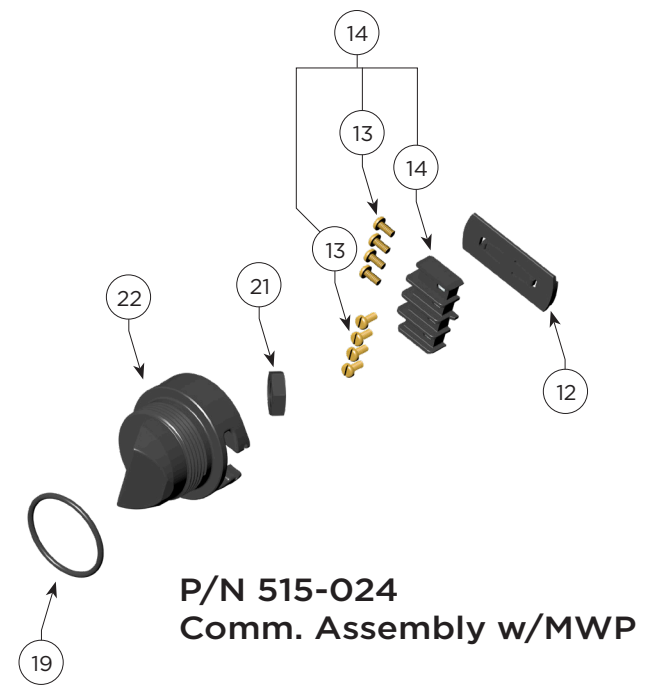


| Location # | Part # | Description |
|------------|---------|--------------------------------------|
| 1 | | For Earphone Cover Set Order 510-842 |
| 2 | 520-038 | Tie-Wrap |
| 3 | 515-102 | Communication Wire 9" |
| 4 | 530-098 | Screw |
| 5 | 515-090 | Earphone, Speaker Only |
| 6 | 520-015 | Protector, Earphone |
| 7 | | For Earphone Cover Set Order 510-842 |
| 8 | 515-018 | Earphone, Right 9" |
| 9 | 515-101 | Communication Wire 15.5" |
| 10 | 515-019 | Earphone, Left 15.5" |
| 11 | 515-029 | Microphone Assembly |
| 12 | 520-515 | Strip Retainer Plate |
| 13 | 330-030 | Screw |
| 14 | 515-125 | Strip Assembly with Screws |
| 15 | 530-308 | Hex Nut |
| 16 | 530-525 | Washer |
| 17 | 515-055 | Wiring Harness, Posts |
| 18 | 550-181 | Comm. Module for Posts |

| Location # | Part # | Description |
|------------|---------|-----------------------------|
| 19 | 510-029 | O-ring |
| 20 | 315-020 | Comm. Posts |
| 21 | 550-040 | Nut |
| 22 | 550-183 | Comm. Module for MWP |
| 23 | 515-049 | Single Wire Terminal |
| 24 | 510-481 | O-ring |
| 25 | 555-175 | Packing Gland |
| 26 | 520-113 | Ferrule Set |
| 27 | 555-178 | Packing Nut |
| 28 | 515-045 | W.P. Connector (Male) 4 Pin |
| 29 | 505-047 | W.P. Connector Assembly |

Complete Assemblies

| | | |
|--|---------|------------------------|
| | 515-023 | Comm. Assembly w/Posts |
| | 515-024 | Comm. Assembly w/MWP |



**P/N 515-024
Comm. Assembly w/MWP**

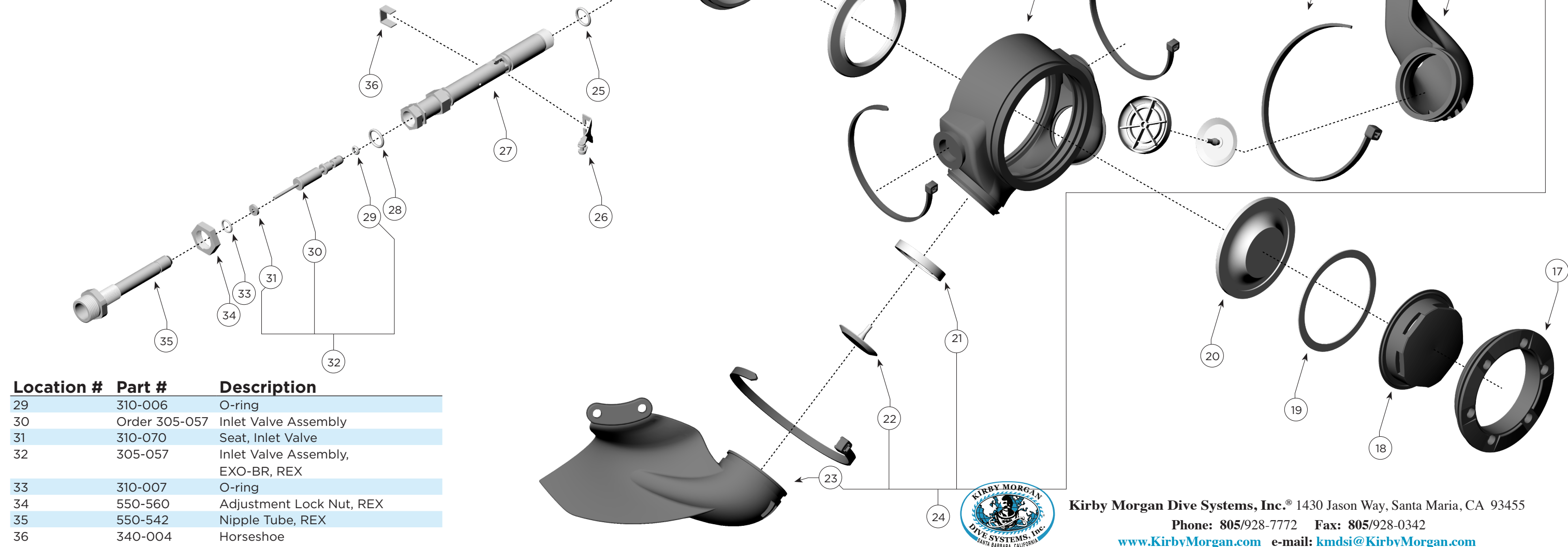


Kirby Morgan Dive Systems, Inc.® 1430 Jason Way, Santa Maria, CA 93455
 Phone: (805) 928-7772 Fax: (805) 928-0342
www.KirbyMorgan.com e-mail: kmdsi@KirbyMorgan.com

REX[®] Regulator Assembly P/N 505-278 (Order P/N 525-774)

| Location # | Part # | Description |
|------------|---------|------------------------------|
| 1 | 560-514 | Regulator Body, REX |
| 2 | 350-035 | Sleeve |
| 3 | 510-015 | O-ring |
| 4 | 350-065 | Spacer |
| 5 | 535-910 | Spring |
| 6 | 350-052 | Adjustment Shaft |
| 7 | 510-011 | O-ring |
| 8 | 350-025 | Packing Nut |
| 9 | 320-035 | Adjustment Knob |
| 10 | 530-601 | Retaining Pin |
| 11 | 305-045 | Adjustment Knob Assembly |
| 12 | 510-777 | Exhaust Valve, REX Regulator |
| 13 | 510-783 | Whisker, Main Body, REX |
| 14 | 520-038 | Tie-Wrap |
| 15 | 520-042 | 11" Tie Wrap |
| 16 | 510-785 | Port Whisker Wing, REX |
| 17 | 550-042 | Cover Retaining Ring |
| 18 | 510-006 | Cover, REX |
| 19 | 320-030 | Washer |
| 20 | 510-553 | Diaphragm |
| 21 | 520-200 | Valve Seat |
| 22 | 510-776 | Exhaust Valve |

| Location # | Part # | Description |
|------------|---------|------------------------------|
| 23 | 510-784 | Starboard Whisker Wing, REX |
| 24 | 525-764 | REX Whisker Wing Exhaust Kit |
| 25 | 310-013 | O-ring |
| 26 | 545-038 | Roller Lever Arm Assembly |
| 27 | 350-143 | Main Tube, Stainless Steel |
| 28 | 310-013 | O-ring |



| Location # | Part # | Description |
|------------|---------------|-----------------------------------|
| 29 | 310-006 | O-ring |
| 30 | Order 305-057 | Inlet Valve Assembly |
| 31 | 310-070 | Seat, Inlet Valve |
| 32 | 305-057 | Inlet Valve Assembly, EXO-BR, REX |
| 33 | 310-007 | O-ring |
| 34 | 550-560 | Adjustment Lock Nut, REX |
| 35 | 550-542 | Nipple Tube, REX |
| 36 | 340-004 | Horseshoe |



Kirby Morgan Dive Systems, Inc.[®] 1430 Jason Way, Santa Maria, CA 93455
 Phone: 805/928-7772 Fax: 805/928-0342
www.KirbyMorgan.com e-mail: kmdsi@KirbyMorgan.com

Neck Ring Assembly

P/N 505-090 (Small, Neck Dam)

P/N 505-119 (Medium, Neck Dam)*

P/N 505-120 (Large, Neck Dam)

P/N 505-093 (X-Large, Neck Dam)

P/N 505-118 (Small/Medium, Latex Neck Dam) (SL 17K, KM 37, 47 & 57)

P/N 505-117 (Medium/Large, Latex Neck Dam) (SL 17K, KM 37, 47 & 57)

| Location # | Part # | Description | Location # | Part # | Description |
|------------|----------------|----------------------------------|------------|---------|-----------------------|
| 1 | 540-546 | Split Ring, Stainless Steel | 3 | 510-450 | O-ring, Neck Ring |
| | 510-627 | Neoprene Neck Dam, Small | 4 | 560-078 | Stepped Neck Dam Ring |
| | 510-628 | Neoprene Neck Dam, Medium | 5 | 530-024 | Screw |
| | 510-629 | Neoprene Neck Dam, Large | 6 | 530-022 | Screw |
| 2 | 510-688 | Neoprene Neck Dam, X-Large | 7 | 530-220 | Screw |
| | 510-631 | Latex Neck Dam, Small/Medium | 8 | 540-115 | Strap Plate |
| | 510-633 | Latex Neck Dam, Medium/Large | 9 | 505-142 | Pull Strap Assembly |

* Medium size standard on all units

